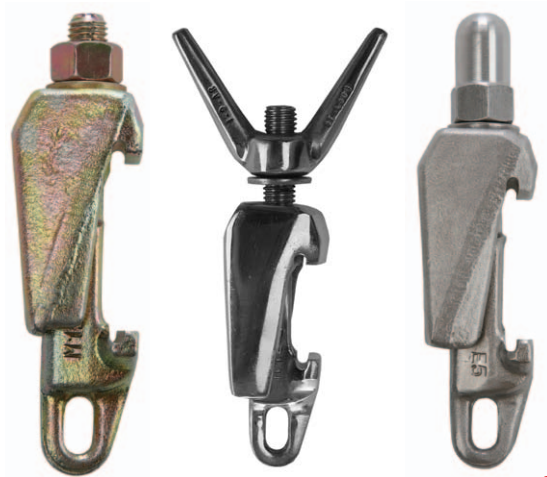


"Interforgia" screwed clamps to close flanges



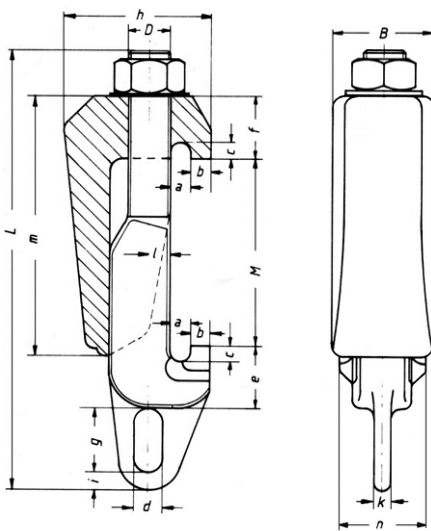
- Reactor engine, pressure equipments and strainers, vaporize column, rotary dry machine, as special components, etc.

Quality types (forged material):

Steel = 25CrMo4 (WNR.1.7218), ASTM A193 Gr.B7.
Stainless Steel = AISI 316L (WNR.1.4404), ASTM A193 Gr.B8M.

Certificates

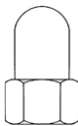
Of quality = EN10204 3.1 or 97/23/EC-PED.



Standard Nut



Hexagonal Nut



Cap Nut

Nuts on demand



Wing Nut



Ring-Cap Nut

Type	Opening		Length	Width	Dimensions											Weight	
	D	M			L	B	a	b	c	d	e	f	g	h	l		m
M 10-K	13 - 24		83														0,16
M 10-L	22 - 33		94	25	4	4	4	6	13	12	15	27	5	43			0,18
M 10-LS	70 - 83		122														0,22
M 12-L	40 - 56		133	34	4	5	4	8	18	20	16	38	6	70			0,50
M 16-K	40 - 60		165														1,13
M 16-L	55 - 85		192	40	6	7	5	12	25	25	25	58	100	32			1,21
M 16-L2	80 - 110		213														1,28
M 16-LS	95 - 125		234														1,40
M 20-K	50 - 75		195														1,95
M 20-L	65 - 90		212	48	10	9	8	14	30	30	30	73	10	115			2,00
M 20-L2	90 - 130		252														2,20
M 24-K	65 - 95		230														2,65
M 24-L	90 - 130		265														3,00
M 24-L2	120 - 160		295	52	10	11	8	14	34	34	30	78	12	130			3,20
M 24-LS	155 - 200		335														3,40
M 24-LP	180 - 260		404														4,40
M 24-LX	290 - 330		470														4,80
M 27-K	90 - 110		290														4,80
M 27-L	115 - 145		327														5,00
M 27-L2	150 - 195		375														5,15
M 27-L3	205 - 255		435	63	10	16	8	14	52	45	40	85	15	155			6,15
M 27-BV	250 - 300		480														7,20
M 27-LS	340 - 385		565														7,70
M 27-LX	440 - 480		680														9,50
M 33-K	100 - 150		380	75	12	20	10	24	65	60	48	104	18	205			9,20
M 33-L	150 - 200		430														10,10
M 33 Spec	180 - 220		440	70	12	20	10	24	63	56	48	102	18	200			10,20
M 33-L2	200 - 250		480														10,80
M 33-L3	250 - 300		530	75	12	20	10	24	65	60	48	104	18	205			11,40
M 33-LX	380 - 430		665														13,50
M 33-LY	510 - 560		810														16,50
M 56-L	200 - 245		523														30,15
M 56-L2	260 - 350		640	115	14	26	10	22	84	65	40	160	30	310			34,00
M-56-L3	380 - 420		705														41,30