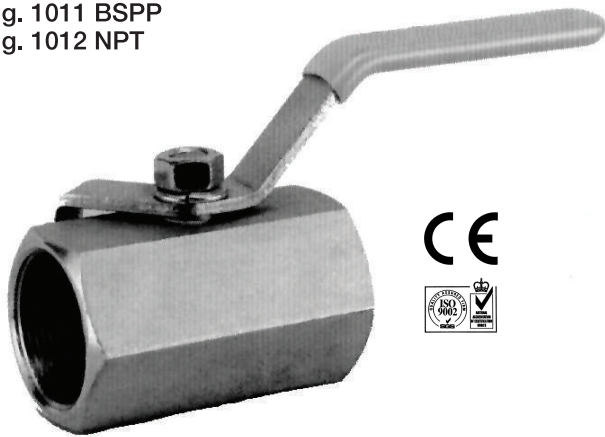


1 piece polished ball valve Reduced bore

AISI-316 · BSPP & NPT threads

Fig. 1011 BSPP
Fig. 1012 NPT



- General industry application.
- Blow-out proof stem design.
- 100% tested with air and water (open/close).

Specifications

Nominal diameter: 1/4" to 2".

Ends: Fig. 1011 BSPP thread DIN-259 1/4" to 2".

Fig. 1012 NPT thread 1/4" to 1".

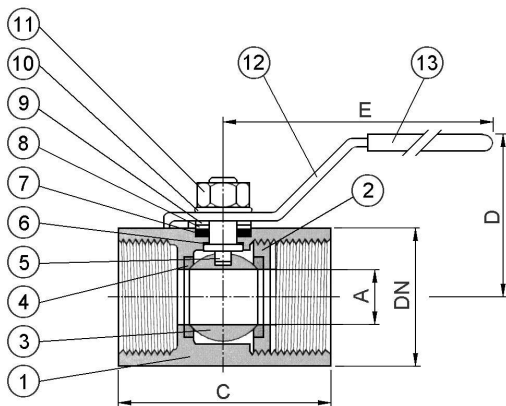
Pressure : PN-56 (800 PSI W.O.G.).

Temperature: -20° C. +200° C.



List of materials

Nº	Part name	Qualities	Qty.
1	Body	AISI - 316	1
2	Seat retainer	AISI - 316	1
3	Ball	AISI - 316	1
4	Seat	TEFLON +15%GFT	2
5	Stem	AISI - 316	1
6	Thrust washer	TEFLON +15%GFT	1
7	Stem packing	TEFLON +15%GFT	1
8	Washer	AISI - 304	1
9	Gland	AISI - 304	1
10	Stem washer	AISI - 304	1
11	Stem nut	AISI - 304	1
12	Handle	AISI - 304	1
13	Plastic cover	PLASTIC	1



Dimensions

DN	A	C	D	E
1/4"	5	40	32	70
3/8"	7	44	33	84
1/2"	10	57	58	110
3/4"	13	59	60	110
1"	15	71	63	125
1"1/4	20	78	70	145
1"1/2	25	83	73	145
2"	32	98	80	150